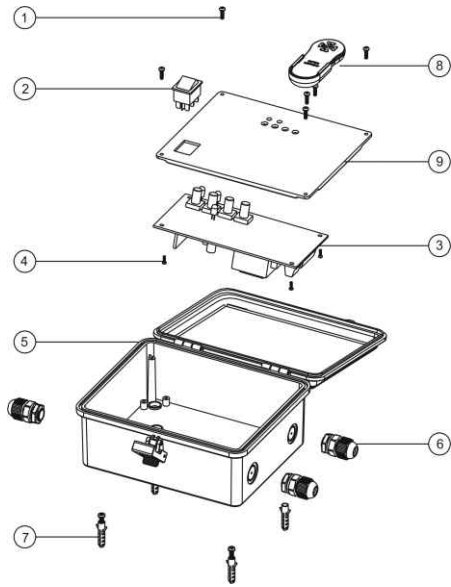


PART LIST
零部件清单



项目	部件编号	产品资料/说明	中文	数量
Key No.	Part No.	Description	Chinese	Qty
1	03011007	M4x12 Screws	M4X12螺丝	4
2	04014062	Lighted Switch	带灯按钮开关	1
3	E110102	Receiving Electronic Board (220V 50Hz/60Hz)	接收电子板	1
3	E110103	Receiving Electronic Board (110V 50Hz/60Hz)	接收电子板	1
4	03011196	M3x6 Screws	M3X6螺丝	6
5	89480101	Control Box	控制箱	1
6	04014013	Cable Gland	电缆锁头	3
7	87013019	Plastic Fitting	膨胀胶粒	4
7	03011023	M5x35 Screws	M5X35螺丝	4
8	E110105	Remote control with Battery (EMAUX)	遥控器连电池	1
9	01360015	Panel Board	控制箱隔板	1

RGB SERIES UNDERWATER LIGHT CONTROL BOX

RGB大功率灯控制箱

Model: RGB-CB

Code: 08040009(220-240V 50/60Hz) **08040020**(110V 60Hz)

Keep this manual safe for future reference
请保留您的说明书以备查阅



APPLICABLE FOR UNDERWATER LIGHT:

LED-P100/LED-TP100/LED-CP100/E-Lumen/EL-NP300/EL-H200/EL-S100/EL-S300/ELCOMP

适用于大功率水灯:

LED-P100/LED-TP100/LED-CP100/E-Lumen/EL-NP300/EL-H200/EL-S100/EL-S300/ELCOMP和同类变换模式水灯

Warning:

警告:

This electrical control box must be installed by a licensed or certified electrician or a qualified serviceman in accordance to the requirements of your government standard or local authorities. Improper installation will create electric hazards which could result in serious injury, death as well as damage to the property. 本电子控制箱必须由合格的电工或合格的维护人员安装, 并按照合乎当地官方许可的法规安装, 不适当的安装, 会引起触电导致电子控制箱使用者或安装人员严重伤害及财物损失, 甚至死亡。

CUT THE POWER BEFORE SERVICE AND MAINTAINANCE!

保养维修电子控制箱之前必须把连接电箱的电源切断!

INSTALLATION EXPLAIN

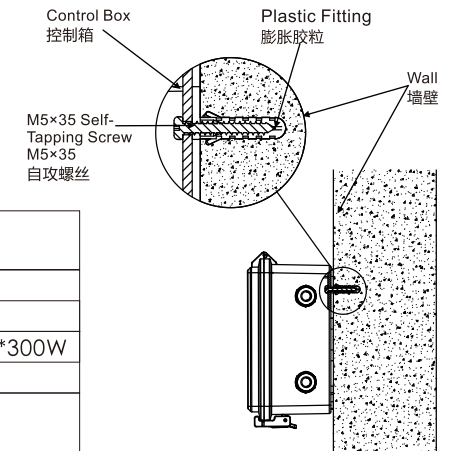
安装说明:

1.Remove the Panel from the Control Box, position the box to the desired fitting place and mark on the wall with the location of the drilled holes, then drill 4 holes of $\varnothing 8\text{mm}$ on the marked position and insert a plastic fitting, secure the box by fastening 4 screws of M5x35 to the plastic fittings(See diagram below).

1.首先移开控制箱隔板, 将控制箱置于墙上合适的高度并标明四角的安装孔位, 然后在墙上标明的孔位开4个 $\varnothing 8\text{mm}$ 的孔。敲入膨胀胶粒后用4颗M5x35的自攻螺丝将控制箱固定在墙上(参照「控制箱安装图」)。

CONTROL BOX INSTALLATION DIAGRAM

控制箱安装图

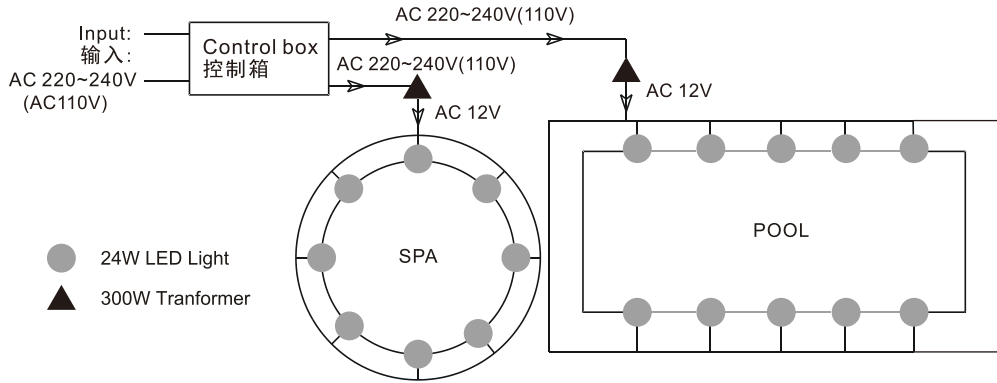


SPECIFICATIONS

性能参数

Work temperature 工作温度	0-35°C
Input voltage 输入电压	AC220-240V, 50/60Hz AC110V, 60Hz
Output voltage 输出电压	AC220-240V, 50/60Hz, 2*300W AC110V, 60Hz, 2*300W
Frequency RF 发射接收频率	433.92MHz

CONTROL BOX WIRING DIAGRAM
大功率灯控制箱接线示意图



Warning: load of the control box should not exceed 2*300W.
警告: 单个控制箱负载总功率小于2*300W

CONTROLS INDEX 控制方法

INSTRUCTION:

- Switch on the "POWER" switch to turn on the main power, the POWER LED will light up.
- Press the "POOL" button to switch ON/OFF or change color for all the underwater lights connected to the POOL outlet.
- Press the "SPA" button to switch ON/OFF or change color for all the underwater lights connected to the SPA outlet.
- Press the "POOL & SPA" button to switch ON/OFF or change color for all the underwater lights connected to both POOL and SPA outlet (Remark: To sync the underwater lights connected to the POOL and SPA outlet, press the "RESET" button).
- Press the "RESET" button to reset all the underwater lights connected to the POOL and SPA outlet, to white color.

控制箱内按钮控制:

- 打开总电源开关, "POWER"灯亮, 整个控制箱通路状态。
- 按 "pool"键, 用于控制pool这一路水灯的开关与颜色变化。
- 按 "spa"键, 用于控制spa这一路水灯的开关与颜色变化。
- 按 "pool&spa"键, 用于控制pool和spa这两路水灯的开关与颜色变化。
- 按 "reset"键, 所有点亮的水灯都复位为白色灯光。(注: 如想同时控制所有灯的颜色变化, 必须先按 "reset"键, 然后再按 "pool&spa"键。

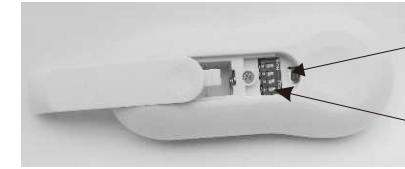
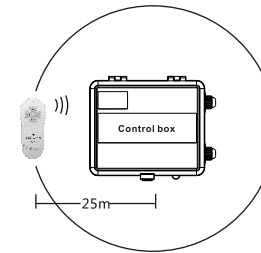
PATTERN TABLE 模式表

No.	PATTERNS	No.	PATTERNS
序号	样式	序号	样式
1	Static white 静态白色	6	Static yellow 静态黄色
2	Static blue 静态蓝色	7	Three-color change 三色跳变
3	Static green 静态绿色	8	Seven-color change 七色跳变
4	Static cyan 静态青色	9	Seven-color gradual change (Fast) 七色渐变(快变)
5	Static purple 静态紫色	10	Seven-color gradual change (Slow) 七色渐变(慢变)



Setting of the Remote Control 遥控器设置:

Operation distance for the remote control is 25m.
有效遥控距离25米。



Sync button 同步键
Frequency Setting 频率编码键

Each control box is associated with a remote control. To use a single remote to control a multiple number of control boxes, you would need to configure the Frequency at the back of the remote control. The Frequency of the Remote would then need to be synced with all the control boxes.
每个控制箱都配有一个遥控器。如果您想使用一个遥控器控制多个控制箱, 您需要将遥控器背面的频率编码进行统一, 然后同步所有的控制箱。

- Slide open the back of Remote Control
- Set the Frequency
- Turn on Control Box(es)
- Sync the Remote to the Control Box(es)
- 滑开遥控器背面的电池盖
- 设置统一的频率编码
- 启动控制箱电源
- 将遥控器置于控制箱旁边
- 按下同步键, 直到控制箱上的灯亮



If you have multiple control boxes and you want to use a remote control for a specific control box, you must set the Frequency on the remote control to a unique combination.

如果您有多套控制箱, 想使用遥控器一对一的控制时, 您必须将遥控器背面的频率编码设置成不同值。

- Slide open the back of Remote Control
- Set a unique Frequency on the Remote Control
- Turn on the Control Box associated with that particular Remote Control
- Sync the Remote to the Control Box
- Press the Sync Button until the lights on the Control Box turn on
- Once synced, turn off the control box and move to the next set of Control Box and Remote. Repeat above steps.
- 滑开遥控器背面的电池盖
- 遥控器上设置不同的频率编码
- 打开配对的控制箱电源
- 将遥控器置于需配对的控制箱旁边
- 按下同步键, 直到控制箱上的灯亮
- 一旦同步, 关闭此控制箱电源, 进行下一组控制箱和遥控器配对。重复上述步骤。