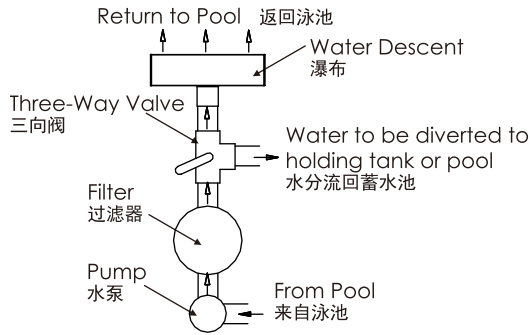
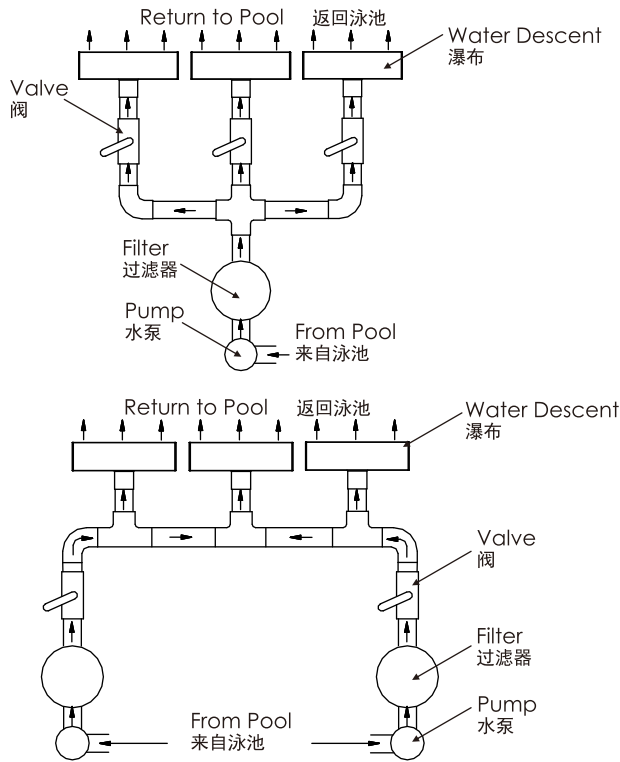


INSTALLATION FOR PIPING SINGLE UNIT WITH BALL VALVE 瀑布带阀门的安装



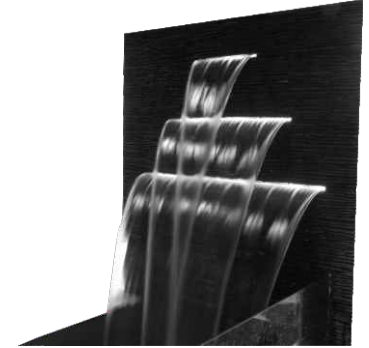
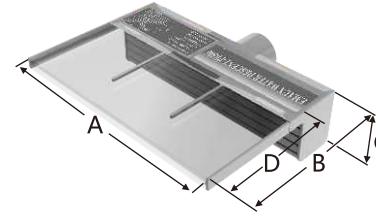
MULTIPLE UNITS WITH BALL VALVE. (IT IS BEST TO VALVE EACH UNIT)
多个瀑布带阀门的安装 (最好每个瀑布带一个阀)



Warning: Only filtered water should be used with this product, otherwise clogging within the product may occur and cause leakage.
警告: 此产品所有水源需经过沙缸和其他过滤器过滤后方可使用, 否则容易堵塞产品内部的分水系统!

WATER DESCENT 瀑布

Keep this manual safe for future reference
请保留您的说明书



READ THIS MANUAL CAREFULLY

- Installation must be done in compliance to your local ordinances and national regulations.
- Installation to be made by authorised personnel only (E.G. licenced engineers, electrician and so on).
- Only filtered water should be used with this product, otherwise clogging within the product may occur and cause leakage.

请仔细阅读

- 必须坚守所有适用的本地安装守则和条例。
- 必须由持牌或经过核证的电工或工程人员进行安装。
- 只有经过过滤的清水才适用于本产品上, 否则水里的杂质可能会阻塞管道而导致漏水。

DIMENSION 参数表

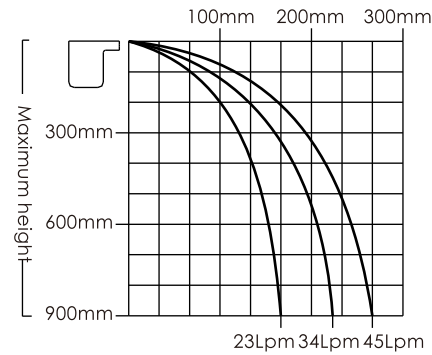
CODE 编号	MODEL NO 型号	A(mm)	B(mm)	C(mm)	D(mm)	LED	TYPE OF WALL INSTALLATION 墙壁类型
88480101	PB300-25(L)	306	138	76	25	4W DC 12V	Existing Wall现有的墙壁
88480102	PB300-150(L)	306	263	76	150	4W DC 12V	New Feature Wall(brick)单层砖墙
88480103	PB300-230(L)	306	343	76	230	4W DC 12V	New Feature Wall(limestone)石灰石墙
88480111	PB600-25(L)	606	138	76	25	8W DC 12V	Existing Wall现有的墙壁
88480112	PB600-150(L)	606	263	76	150	8W DC 12V	New Feature Wall(brick)单层砖墙
88480113	PB600-230(L)	606	343	76	230	8W DC 12V	New Feature Wall(limestone)石灰石墙
88480121	PB900-25(L)	906	138	76	25	12W DC 12V	Existing Wall现有的墙壁
88480122	PB900-150(L)	906	263	76	150	12W DC 12V	New Feature Wall(brick)单层砖墙
88480123	PB900-230(L)	906	343	76	230	12W DC 12V	New Feature Wall(limestone)石灰石墙
88480131	PB1200-25(L)	1206	138	76	25	17W DC 12V	Existing Wall现有的墙壁
88480132	PB1200-150(L)	1206	263	76	150	17W DC 12V	New Feature Wall(brick)单层砖墙
88480133	PB1200-230(L)	1206	343	76	230	17W DC 12V	New Feature Wall(limestone)石灰石墙
88485001	PB300-25	306	138	76	25	/	Existing Wall现有的墙壁
88485002	PB300-150	306	263	76	150	/	New Feature Wall(brick)单层砖墙
88485003	PB300-230	306	343	76	230	/	New Feature Wall(limestone)石灰石墙
88485011	PB600-25	606	138	76	25	/	Existing Wall现有的墙壁
88485012	PB600-150	606	263	76	150	/	New Feature Wall(brick)单层砖墙
88485013	PB600-230	606	343	76	230	/	New Feature Wall(limestone)石灰石墙
88485021	PB900-25	906	138	76	25	/	Existing Wall现有的墙壁
88485022	PB900-150	906	263	76	150	/	New Feature Wall(brick)单层砖墙
88485023	PB900-230	906	343	76	230	/	New Feature Wall(limestone)石灰石墙
88485031	PB1200-25	1206	138	76	25	/	Existing Wall现有的墙壁
88485032	PB1200-150	1206	263	76	150	/	New Feature Wall(brick)单层砖墙
88485033	PB1200-230	1206	343	76	230	/	New Feature Wall(limestone)石灰石墙

Inlet size: 1.5"/50mm 接管尺寸: 1.5"/50mm

Emaux Water Descents were designed to cater a wide range of sizes to suit various wall lengths and widths. They are suited for existing and new feature wall installation. The "Clear Overflow" construction requires no painting or no special covering to the face of the feature wall as can be easily tucked away. The "Clear Overflow" allows it to blend to your feature wall regardless of composition. The Emaux Water Descent will provide you with peaceful and relaxing sound of a running waterfall.

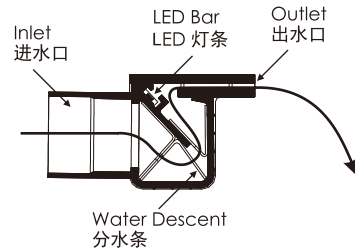
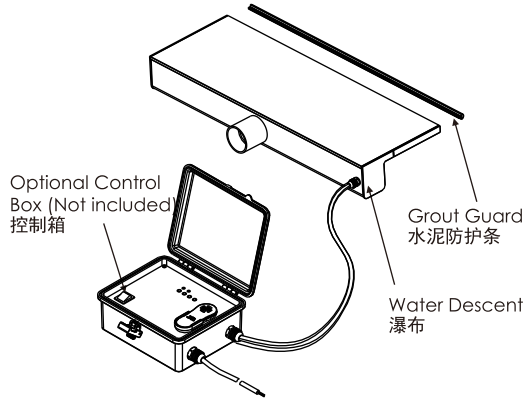
意万仕瀑布应用广泛，能迎合不同长度和厚度的墙。它们同时适合安装在已完成的墙壁和新建的墙壁。抛物线式的出水设计能有效地隐藏出水口，同时省却在出水口上油漆或加建遮盖物的麻烦。这种设计使意万仕瀑布能简易地融入任何主题的墙。意万仕瀑布将能提供一个平静和舒适的环境。

APPROXIMATE PROJECTION OF SHEET OF WATER PER 300MM OF WATERFALL LENGTH
每300毫米瀑布抛物线射程

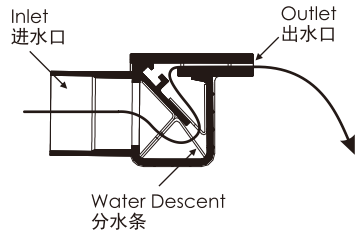
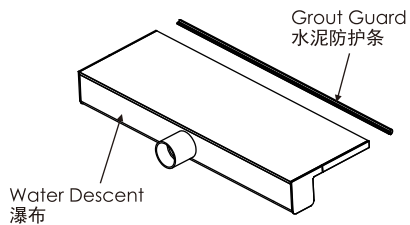


SPECIFICATION 产品功能说明

PB300-25(L)/PB600-25(L)/PB900-25(L)/PB1200-25(L)/PB300-150(L)/PB600-150(L)/PB900-150(L)/PB1200-150(L)/PB300-230(L)/PB600-230(L)/PB900-230(L)/PB1200-230(L)



PB300-25/PB600-25/PB900-25/PB1200-25/PB300-150/PB600-150/PB900-150/PB1200-150/PB300-230/PB600-230/PB900-230/PB1200-230

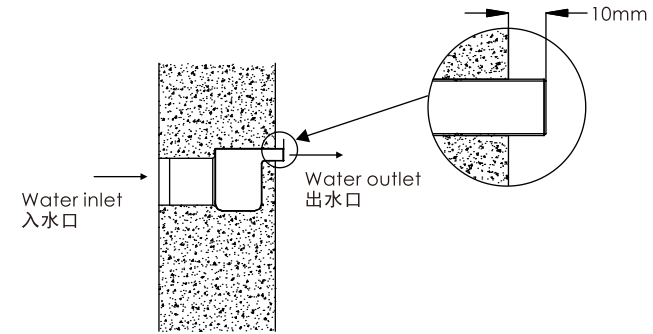


- ⚠ Important: Do not remove Grout Guard until the installation is complete.
Do not leave unit in direct sunlight for long periods of time.
- ⚠ 在安装完成前请勿移除水泥防护条。
避免长时间太阳直射。

INSTALLATION FOR WATER DESCENT 瀑布安装图

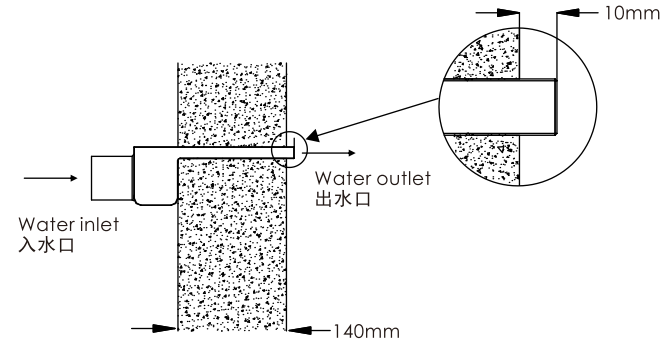
EXISTING BUILT WALLS 适合已有的墙壁

PB300-25(L)/PB600-25(L)/PB900-25(L)/PB1200-25(L)/PB300-25/PB600-25/PB900-25/PB1200-25



SINGLE BRICK WALLS DURING CONSTRUCTION 适合单层砖墙

PB300-150(L)/PB600-150(L)/PB900-150(L)/PB1200-150(L)/PB300-150/PB600-150/PB900-150/PB1200-150



LIMESTONE BLOCK WALLS DURING CONSTRUCTION 适合石灰石墙

PB300-230(L)/PB600-230(L)/PB900-230(L)/PB1200-230(L)/PB300-230/PB600-230/PB900-230/PB1200-230

